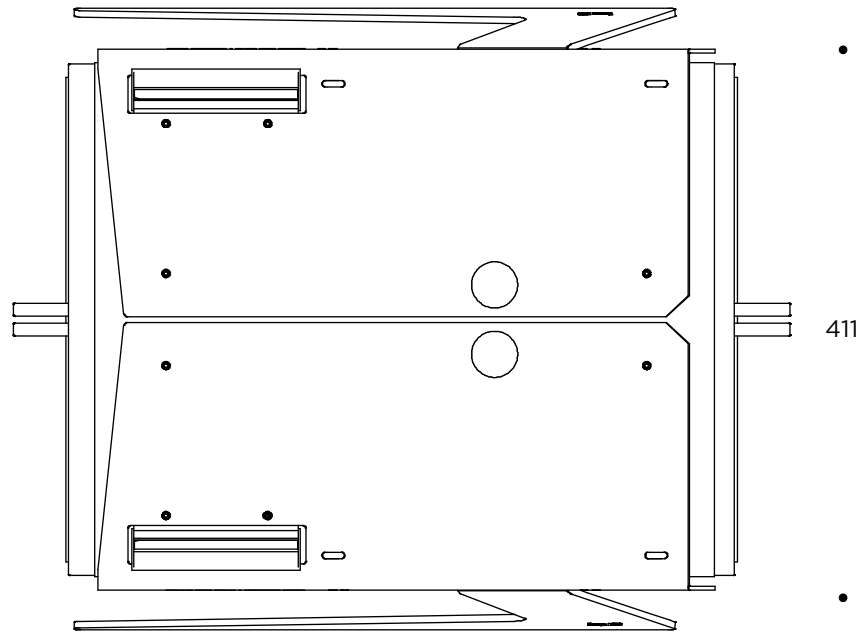
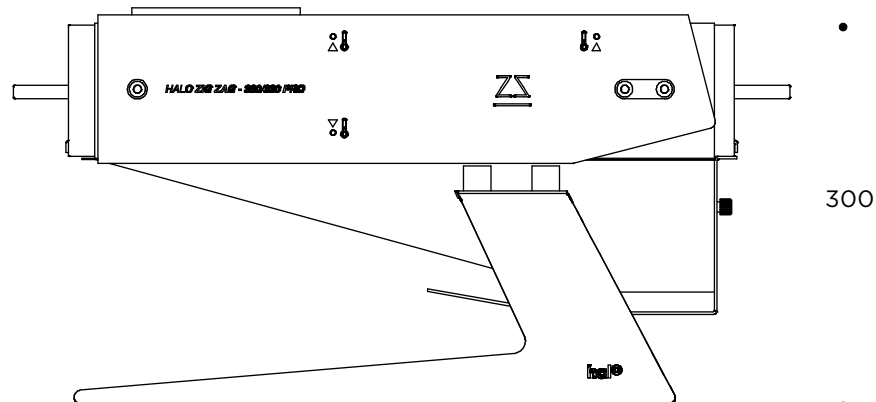


## HALO ZIGZAG OUTDOOR OVEN PRODUCT SPECIFICATION



510



### PRODUCT DESCRIPTION

The ZIGZAG OVEN is a charcoal and wood powered outdoor oven capable of cooking stone baked pizzas. It features a unique suspended cordierite baking stone.

### SPECIFICATIONS:

WIDTH: 411mm (excluding legs)

DEPTH: 510mm

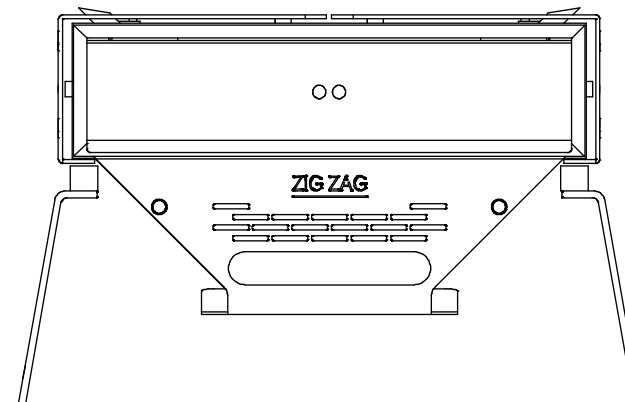
HEIGHT: 300mm (including legs)

BAKING STONE: 330mm x 330mm sq

WEIGHT: 15kg

### WHAT'S INCLUDED:

- Detachable aluminium legs - Powder Coated
- Stainless Steel main body
- Aluminium external skin
- Cordierite baking stone



HALO PRODUCT IS AN X-PLY™ BRAND

X-PLY™ Limited is a limited company registered in England and Wales Reg. No 112606964

WWW.HALOPRODUCT.COM